



Shepherd Plastic Hinges

Butt Hinge Specifications

Hinge Size	Weight/Box	Approximate Hinge Load
1" x 1½"	2 oz.	108 lbs.
1½" x 2"	6 oz.	145 lbs.
1" x 3"	7 oz.	183 lbs.
2½" x 3"	18 oz.	360 lbs.
3½" x 3½"	32 oz.	615 lbs.
4" x 4"	42 oz.	748 lbs.

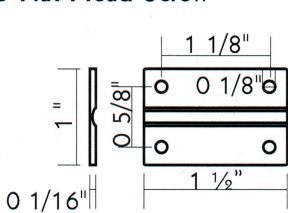
Packaged 12 pair per box or bulk.

Shepherd Butt Hinges are available in a variety of colors and sizes ranging from 1" x 1½" to 4" x 4". Installation is simple, and Shepherd Hinges can be used on metal, wood or plastic surfaces using screws, brads, nails or staples.

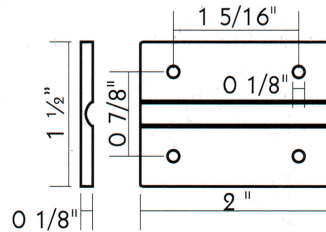
Shepherd Butt Hinges are the economical alternative to conventional metal hinges, particularly for use in harsh environments.

Custom Hinges Can Be Molded To Your Specifications.

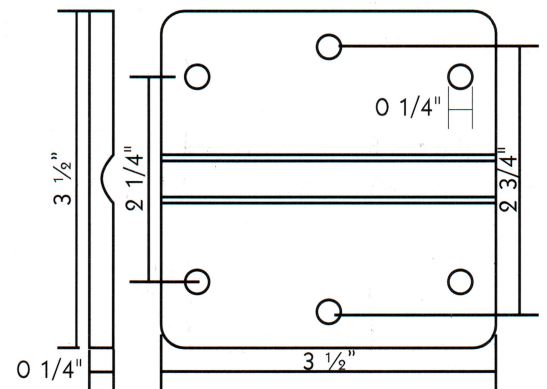
1" x 1.5"
#6 Flat Head Screw



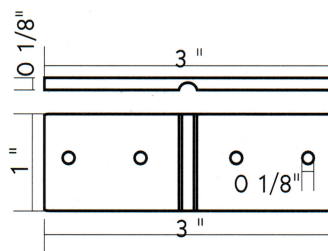
1.5" x 2"
#5 Flat Head Screw



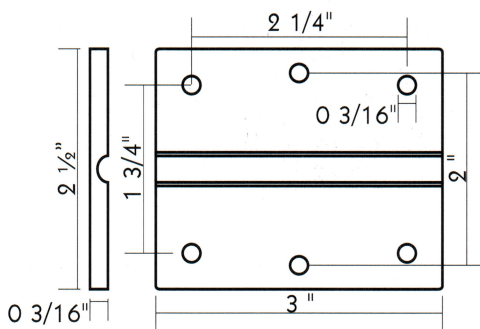
3.5" x 3.5"
#8 Flat Head Screw



1" x 3"
#5 Flat Head or Round Head Screw



2.5" x 3"
#8 Flat Head Screw



4" x 4"
#12 Flat Head Screw

